

Accelerated Product Development

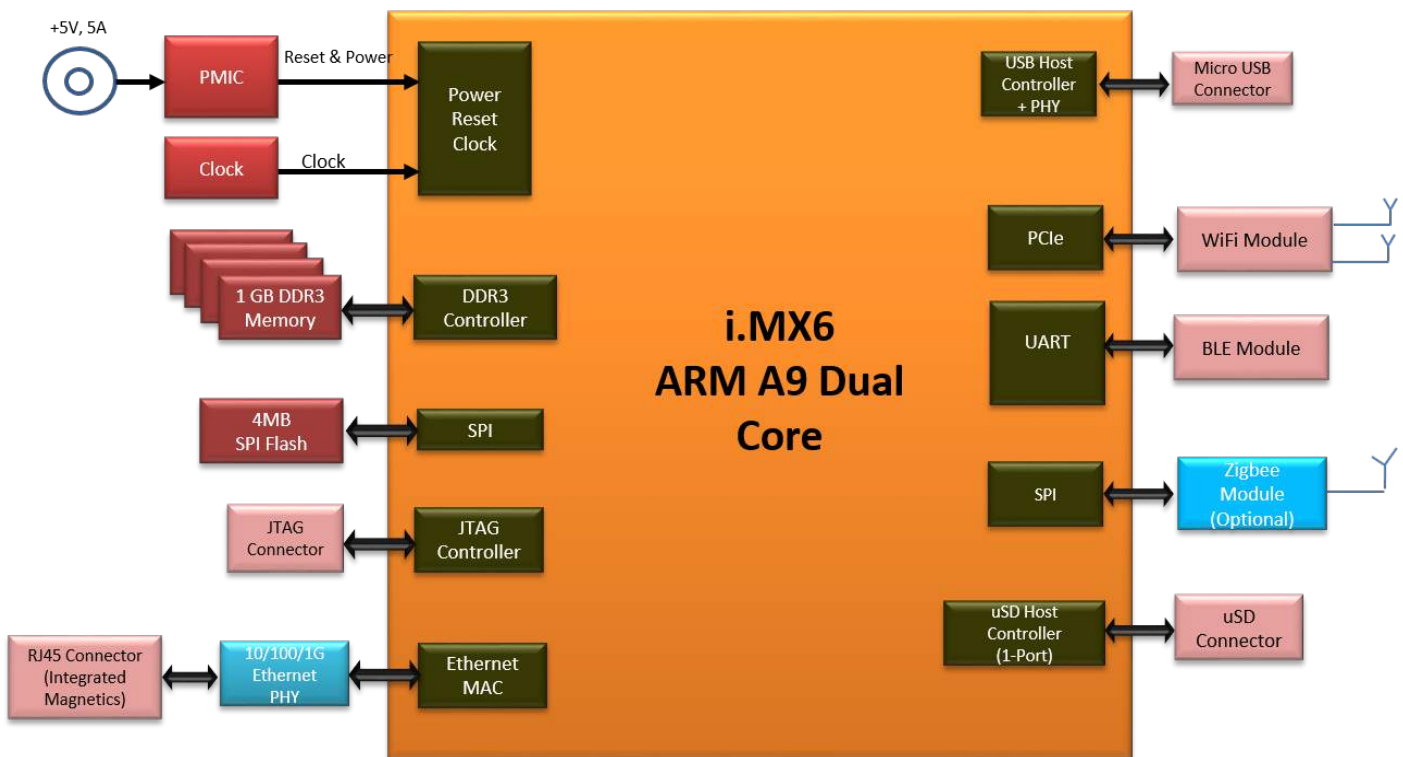
Highly Customizable

Cost Effective

IOT Gateway reference board

Overview

Mobiveil's IOT gateway reference solution enables companies to seamlessly connect industrial infrastructure devices and secure data flow between devices and the cloud. With i.mx6 processor, it offers comprehensive security features include cryptographic accelerators, high-assurance boot and tamper protection. It is equipped with standard communication and wireless interfaces like WiFi, Bluetooth, Zigbee (optional)



Features

CPU	i.MX6 Dual/Quad Processor @ 1GHz
Operating Temperature	0 to 70 deg C
Dimension	4.5inch X 5.5inch
Sensors	Ambient Light Sensor, 3-AXIS Accelerometer, Digital-e-Compass, Barometer
Interfaces	Gigabit Ethernet RJ45 port Wi-Fi 802.11a/g/b/n,BT2.0 with EDR 3G with SIM support 1x USB 2.0 Host with micro-USB Connectort 1x USB OTG with micro-USB Connector JTAG,UART Debug port
Memory / Storage	1GB DDR3/DDR3L@1066 MT/s 8GB internal NAND storage uSD connector support up to 32GB storage
Software Support	Linux OSGi Support
Target Applications	Residential Gateway Internet of Things (IoT) Gateway
Deliverables	Schematics (PDF) U-boot, Linux , Device drivers User Manuals
Availability	Available

